

6224

Leptron Foot / Palm Switches

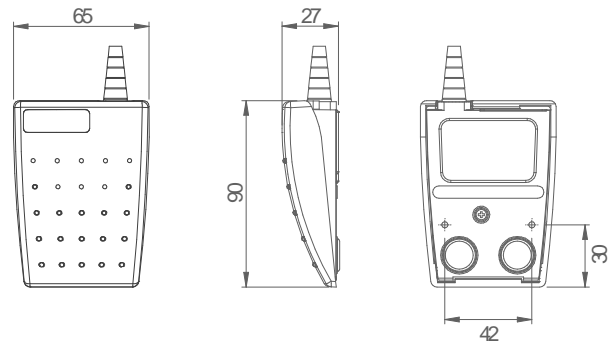
For IPX7 / IPX8 UL Approved / IEC 60601-1



PRODUCT IMAGE



LINE DRAWING



BENEFITS

- low profile switch designed for improved user comfort
- all plastic construction with raised tread pattern, ideal for palm or foot operation
- versatility and innovative design make it an ideal product for OEM use
- switches are designed to meet medical, industrial and office/commercial standards

SPECIFICATIONS

standards/approvals	footswitch: EN 60950, EN 60601-1, UL 60601-1, CSA C 22.2 No601.1-M90 UL File No. E207181, IEC 60601-1 (dependent upon application chosen) microswitch: EN 61058-2-1, EN 61058
degree of protection	EN 60529 IPX7 (IPX8 upon request)
connection method	stripped cable cores or connector of your choice
electrical rating	see table below
contact configuration	SPST N/O, SPST N/C, SPCO
pressure range	n/a
operating temperature	-5°C to +40°C
body material	thermoplastic
weight	0.212Kg (including cable)
additional information	customized versions available (logo's, cordset's, colours, guards)

6224

Leptron Foot / Palm Switches

For IPX7 / IPX8 UL Approved / IEC 60601-1

