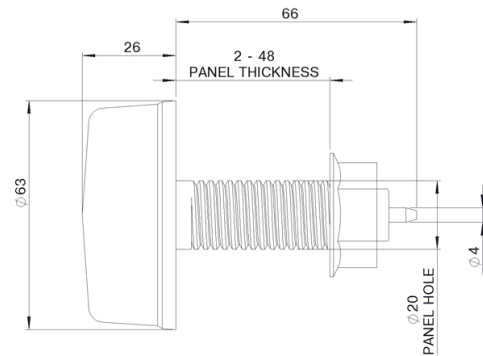


# 6433 Panel Mount Bellows

## PRODUCT IMAGE



## LINE DRAWING



## BENEFITS

- durable bellows designed for panel mounting
- available with shorter shank upon request
- easily cleaned

## SPECIFICATIONS

standards/approvals	n/a
degree of protection	EN 60529 IPX4
connection method	via back entry spout, 4mm dia.
electrical rating	n/a
contact configuration	n/a
pressure range	works with 6871, 6872, 6773, 6753, 6891, 6893, 6861, 6862, 6863, 6864, 6869 – dependent on tube length
operating temperature	+10 <sup>0</sup> C to +40 <sup>0</sup> C
body material	thermoplastic
weight	0.053Kg
additional information	other colour options available upon request. ask our sales team about the high durability polyurethane (TPU) version and the short threaded option (better suited for mounting in thin panels)

# 6433 Panel Mount Bellows

6433 - Z   0 0

**Colour Option**

- |         |         |
|---------|---------|
| A Black | D Red   |
| B Grey  | F Green |
| C White |         |

mounting	through panel with integral thread & nut
air connection	spout, 4mm dia.
panel thickness	2.0mm to 48.0mm
tube reference	2311-01 or 2311-08