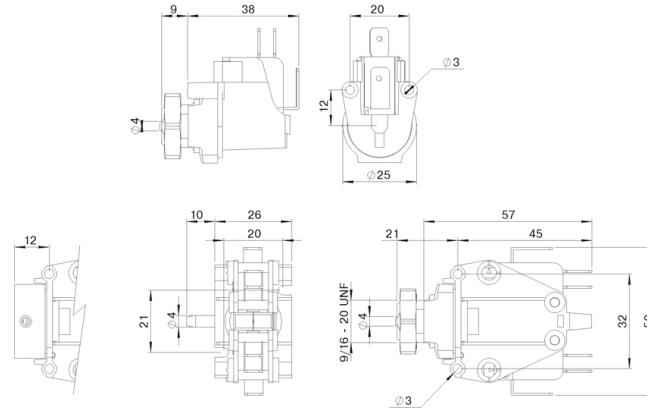


# 6871 & 6872 Airswitches

## PRODUCT IMAGE



## LINE DRAWING



## BENEFITS

- UL/CSA approved versions of the models shown below are available upon request
- ideal for OEM applications
- back or side entry spout
- choice of latching and momentary actions available

## SPECIFICATIONS

standards/approvals	UL 508; CSA C22.2 No. 0, C22.2 No. 55 specific models only
degree of protection	n/a
connection method	via back or side entry spouts
electrical rating	see table below
contact configuration	see table below
pressure range	n/a
operating temperature	-5 °C to +40 °C
body material	thermoplastic
weight	6871 - 0.02 Kg; 6872 - 0.04 Kg
additional information	double diaphragm variants available upon request temperature compensated versions available upon request

# 6871 & 6872 Airswitches

model no.	6871-0C	6871-AC	6872-0C	6872-AC	6872-HC
no. of poles & Action	SPCO momentary	SPCO latching	DPCO momentary	DPCO latching	DPCO (1 pole momentary 1 pole latching)
spout connection	back entry 4mm Dia.				
alternate spout model no.	back entry 2mm 6871-0K side entry 4mm 6871-01	back entry 2mm 6871-AK side entry 4mm 6871-A0	back entry 2mm 6872-0K side entry 4mm 6872-00	back entry 2mm 6872-AK side entry 4mm 6872-A0	back entry 2mm 6871-HK side entry 4mm 6871-H0
connecting tube part no's	2311-08 to suit 4mm dia. spout 2311-01 to suit 2mm dia. spout				
diaphragm material	silicone				
current rating @ 250V AC	16(4)A ½ HP	16(4)A ½ HP	21(8)A 2HP	21(8)A 2HP	21(8)A 2HP