

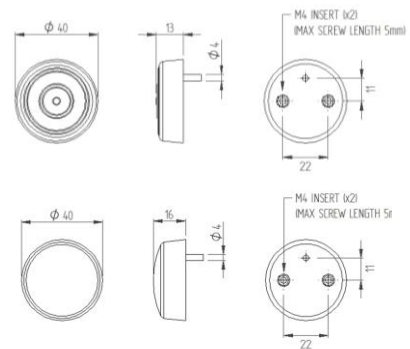
6241 Footswitch Bellows/Palm Switch



PRODUCT IMAGE



LINE DRAWING



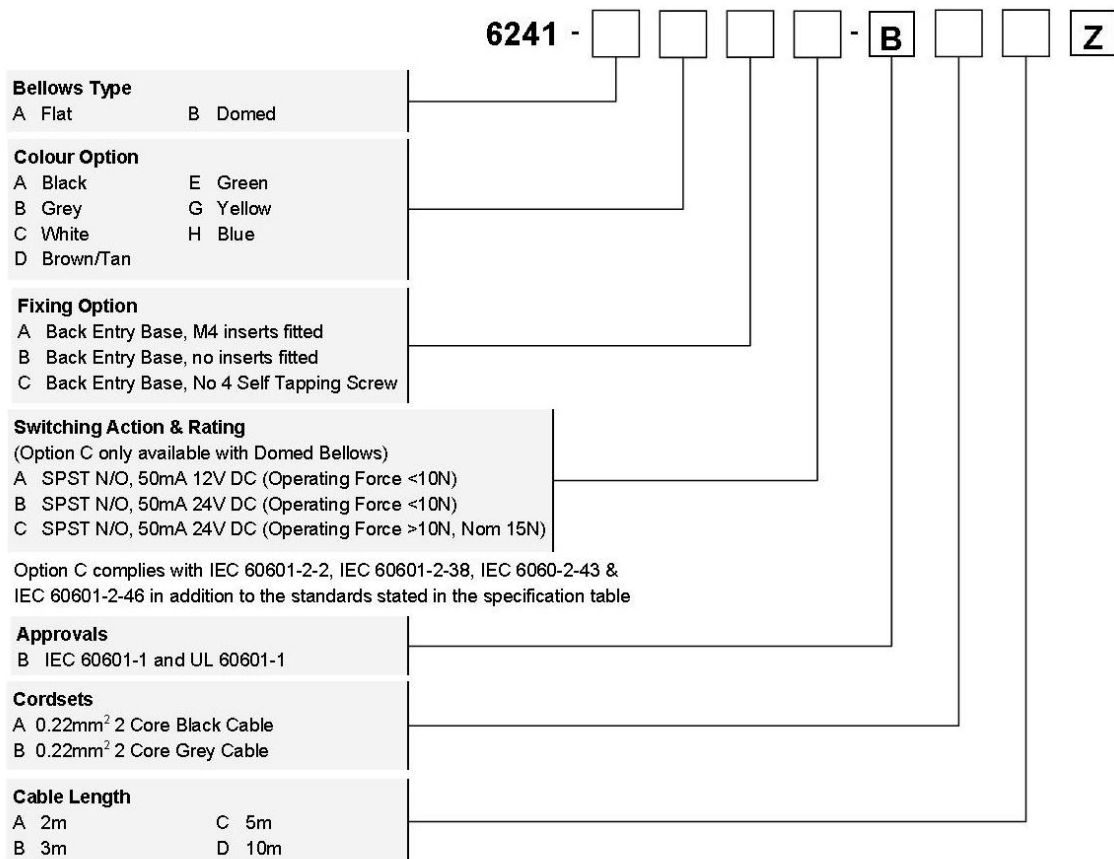
BENEFITS

- lightweight operation over the entire top surface
- designed to withstand heavy loads
- customer colours and logo's available upon request
- these switches may be used in multi-pedal configurations – please consult our sales office for your special requirements

SPECIFICATIONS

standards/approvals	UL 60601-1 File No. E 207181, IEC 60601-1, CSA C22.2 No. 601.1-M90
degree of protection	EN 60529 IP67 (IP68 upon request)
connection method	stripped cable cores or connector of your choice
electrical rating	see table below
contact configuration	SPST N/O
pressure range	n/a
operating temperature	-5 ⁰ C to +40 ⁰ C
body material	thermoplastic
weight	0.06Kg
additional information	

6241 Footswitch Bellows/Palm Switch



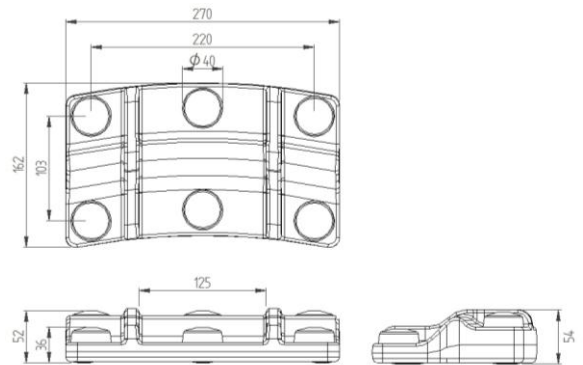
6241 Footswitch Bellows/Palm Switch



PRODUCT IMAGE



LINE DRAWING



BENEFITS

- multi-pedal footswitch, 1-8 pedal options
- compact for discrete placement beneath equipment, or for storage
- robust but aesthetic design
- soft touch buttons with a light operating force
- ideal for motion control applications

SPECIFICATIONS

standards/approvals	UL 60601-1 File No. E 207181, IEC 60601-1
degree of protection	EN 60529 IP67 (IP68 upon request)
connection method	stripped cable cores or connector of your choice, straight or curly coil cable
electrical rating	50mA 24V DC
contact configuration	SPST N/O
pressure range	n/a
operating temperature	-5 ⁰ C to +40 ⁰ C
body material	thermoplastic
weight	1.0Kg
additional information	choice of colours, logos and labels available