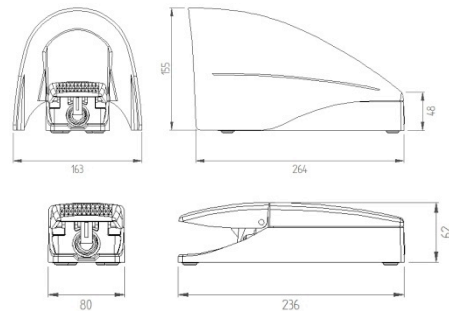


# 6253 Heavy Duty Foot Potentiometer

## PRODUCT IMAGE



## LINE DRAWING



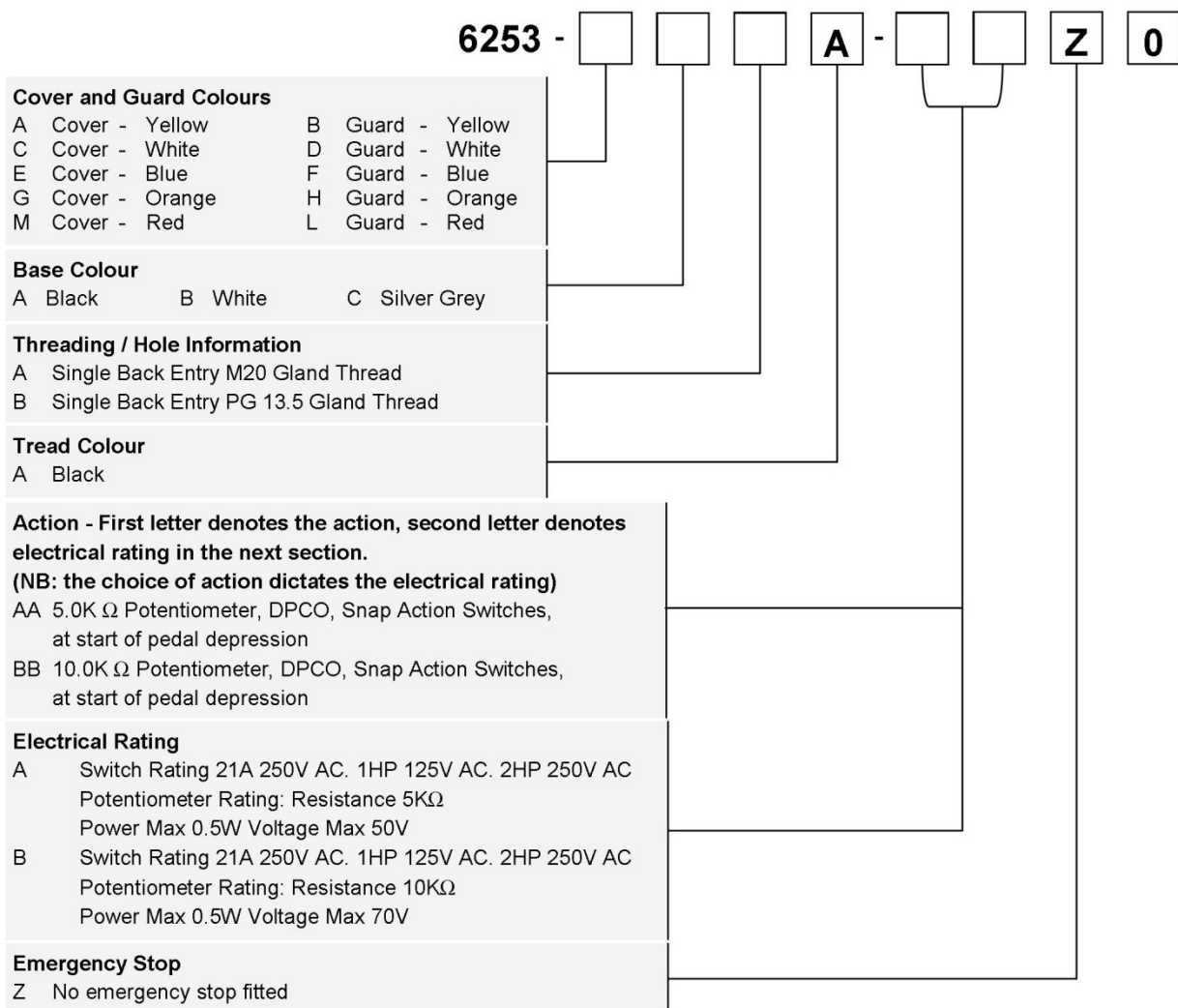
## BENEFITS

- a choice of 5K and 10K potentiometer
- rugged high performing heavy duty footswitch
- distinctive styling
- average life expectancy  $1 \times 10^6$  operations
- customer colours and logo's available on request

## SPECIFICATIONS

standards/approvals	low voltage directive 2006/95/EC
degree of protection	EN 60529 IP67 (IP68 upon request)
connection method	screw terminals, stripped cable cores or connector of your choice
electrical rating	see table below
contact configuration	see table below
pressure range	n/a
operating temperature	-5 <sup>0</sup> C to +40 <sup>0</sup> C
body material	die cast aluminium
weight	cover/unguarded 1Kg or 1.5Kg guarded
additional information	other potentiometer resistance values from 1K $\Omega$ to 10K $\Omega$ can be applied in medium batch volumes, although these versions cannot be supplied with Microswitch contacts

# 6253 Heavy Duty Foot Potentiometer



Initial depression of the foot pedal causes both Microswitch contacts to change state and further depression creates a resistance change in the potentiometer.

# 6253 Heavy Duty Foot Potentiometer

## ELECTRICAL SWITCHES

average life expectancy	mechanical	1.0 x 10 <sup>6</sup> Operations	
	electrical	2.0 x 10 <sup>5</sup> @ 10A	2.0 x 10 <sup>5</sup> @ 21A

## MAX ELECTRICAL LOAD

	voltage (V)	resistance (A)	inductive (A)	motor (Pf0.75)
ac	250	21	8	2hp 1hp
	250	21		
	125	21		
dc	6	21	21	
	12	15	15	
	24	8	7	
	60	1	0.5	
	110	0.5	0.2	
	220	0.25	0.1	

## POTENTIOMETER – ELECTRICAL DATA

	5.0K Ω	10.0K Ω
resistance tolerance	±20%	
linearity	±1.0%	
recommended wiper current	<0.1 μ A	
power rating	0.5W/40°C	
max. wiper fault current	10mA	
max. potentiometer rating	50V	70V
dielectric strength	1000V AC	
resistance	conductive plastic	

Microswitch standards: EN 60730, EN 61058, Microswitch Approvals: ENEC, CSA, UL

Dry Switching: If switching low power circuits i.e. low current (4 to 100 mA) and low voltage (below 30V), consult herga for further advice.

# 6253 Heavy Duty Foot Potentiometer

In all applications except where protective extra low voltage (PELV) circuits are being switched, an earth conductor must be installed. The earth conductor should be rated in accordance with the prevailing standards.