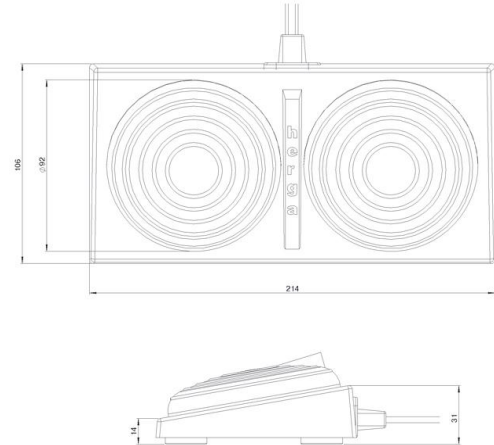


6447 Twin Foot Bellows

PRODUCT IMAGE



LINE DRAWING



BENEFITS

- angled base for ease of use
- variety of colour options for OEM applications
- ideal for dirty environments
- lightweight or heavyweight bases available

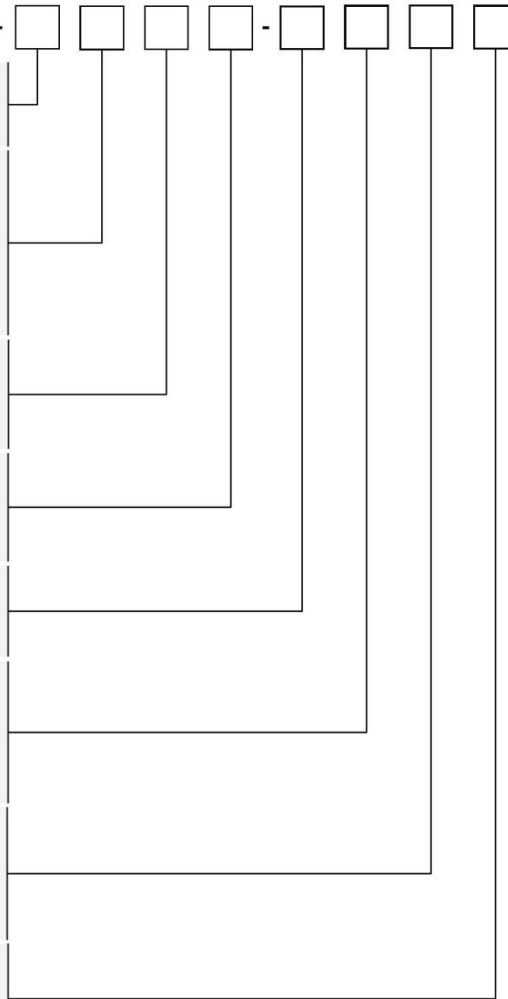
SPECIFICATIONS

standards/approvals	n/a
degree of protection	EN 60529 IPX4
connection method	twin tubing 1.5mm I/D
electrical rating	n/a
contact configuration	n/a
pressure range	works with 6871, 6872, 6773, 6753, 6891, 6893, 6861, 6862, 6863, 6864, 6869 – dependent on tube length
operating temperature	+10°C to +40°C
body material	Thermoplastic
weight	0.3Kg or 0.6Kg
additional information	

6447 Twin Foot Bellows

6447 - -

<p>Base Colour Option</p> <p>A Grey C White</p> <p>B Black</p>
<p>Divider Colour Option</p> <p>A Grey with herga logo</p> <p>B Grey without herga logo (plain surface)</p> <p>C Black with herga logo</p> <p>D Black without herga logo (plain surface)</p> <p>E White with herga logo</p> <p>F White without herga logo (plain surface)</p>
<p>Left Hand Bellows Colour</p> <p>A Black D Red</p> <p>B Grey F Green</p> <p>C White</p>
<p>Right Hand Bellows Colour</p> <p>A Black D Red</p> <p>B Grey F Green</p> <p>C White</p>
<p>Weight</p> <p>A Lightweight B Weighted</p> <p>(0.3Kg) (0.6Kg)</p>
<p>Tube Type</p> <p>A Grey PU Twin Tubing, Straight, 1.5mm I/D</p> <p>B Grey PU Twin Tubing, Curly Coil, 1.5mm I/D</p> <p>Coiled length 0.9m, Extended 2.4m</p> <p>(please select option G from tube length section)</p>
<p>Tube Length</p> <p>A 2m E 6m</p> <p>B 3m F 10m</p> <p>C 4m G Curly Coil Tube</p> <p>D 5m</p>
<p>Tube Identification</p> <p>A Green Label in Heatshrink at the end of the tubing, identifying left hand bellows.</p> <p>Z No Identification Provided</p>



6447 Twin Foot Bellows