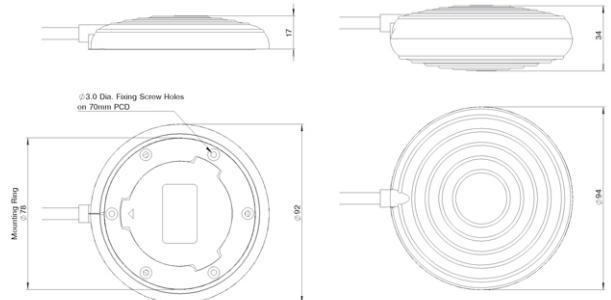


# 6448 Foot Bellows

## PRODUCT IMAGE



## LINE DRAWING



Note: To remove mounting ring from bellows as supplied, insert a 3mm dia. bar in one of the holes & twist anti-clockwise through 41°. Mounting ring can be used as a template for drilling/tapping holes in mounting face

## BENEFITS

- low profile easy to operate foot bellows
- for free standing applications or secured with a built in mounting
- available as twin foot bellows (see 6447) and with convex top and base

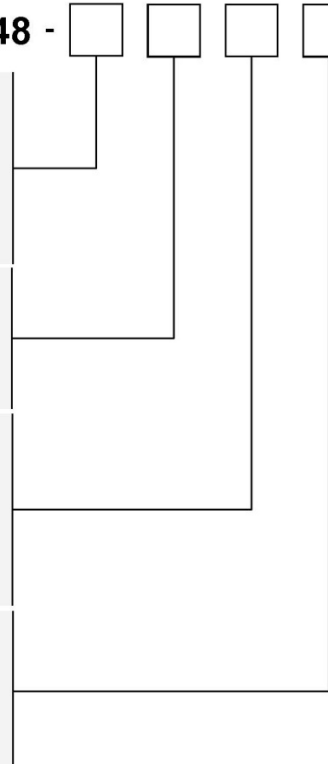
## SPECIFICATIONS

standards/approvals	n/a
degree of protection	EN 60529 IPX4
connection method	tubing 3mm I/D or 1.5 I/D (back entry only)
electrical rating	n/a
contact configuration	n/a
pressure range	works with 6871, 6872, 6773, 6753, 6891, 6893, 6861, 6862, 6863, 6864, 6869 – dependent on tube length
operating temperature	+10°C to +40°C
body material	thermoplastic
Weight	0.1Kg
additional information	

# 6448 Foot Bellows

6448 -     -

<b>Tube Entry</b>	
A Side Entry Tube, Flat Base with Mounting Ring	
B Side Entry Tube, Flat Base without Mounting Ring	
C Back Entry Spout, Flat Base with Mounting Ring	
D Back Entry Spout, Flat Base without Mounting Ring	
E Side Entry Tube, Flexible Base (Double Volume)	
<b>Colour Option</b>	
A Black	D Red
B Grey	F Green
C White	
<b>Tube Type</b>	
A Black PVC Tubing with 3mm I/D and 6mm O/D	
B Clear PVC Tubing with 3mm I/D and 6mm O/D	
C Black PU Tubing with 1.5mm I/D and 3mm O/D	
D Black PU Curly Coil with 1.5mm I/D and 3mm O/D (please select option G from tube length section)	
<b>Tube Length</b>	
A 1.5m	E 5m
B 2m	F 6m
C 3m	G Curly Coil Tube (2.4M ext.)
D 4m	Z None Supplied



**Note:**

To remove mounting ring from bellows as supplied, insert a  $\varnothing 3.0$ mm bar in one of the holes and twist anti-clockwise through 41°. Mounting ring can be used as a template for drilling/tapping holes in mounting face.