

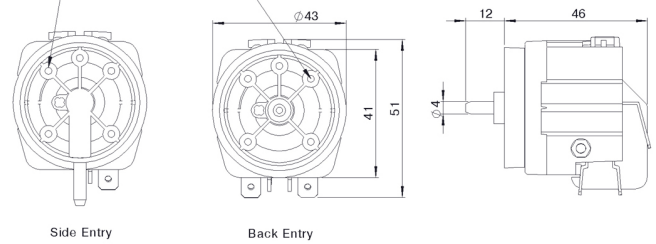
# 6861 to 6869 Airswitches

## PRODUCT IMAGE



## LINE DRAWING

Fixing holes to suit  
No.4 self tap 4.0 deep  
on 28.5 PCD  
Note: Longer screws will penetrate  
diaphragm chamber



## BENEFITS

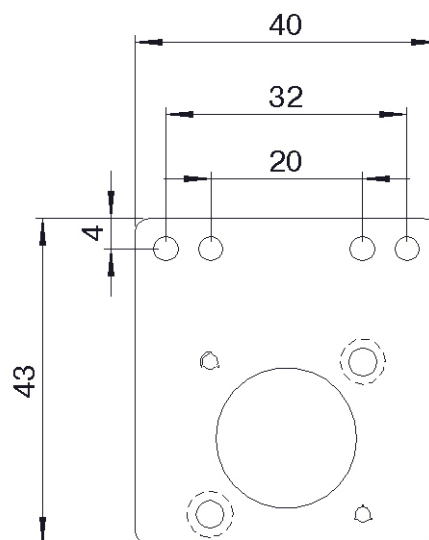
- general purpose airswitch
- mounting plate available

## SPECIFICATIONS

standards/approvals	UL 508 specific models only
degree of protection	n/a
connection method	via back or side entry spout, 4mm dia.
electrical rating	see table below
contact configuration	see table below
pressure range	n/a
operating temperature	-5 <sup>0</sup> C to +40 <sup>0</sup> C
body material	thermoplastic
weight	0.044Kg
additional information	

# 6861 to 6869 Airswitches

Model No	6861-0C	6861-AC	6863-0C	6869-0C	6862-0C	6862-AC	6864-0C
Number of Poles and Action	SPCO momentary	SPCO latching	SPCO momentary low pressure	SPCO momentary very low pressure	DPCO momentary	DPCO latching	DPCO staggered
Air Connection	Back entry, 4mm dia.						
Connecting Tube Part No's	2311-08						
Alternate Spout Model No.	Side entry 4mm 6861-00	Side entry 4mm 6861-A0	Side entry 4mm 6863-00	Side entry 4mm 6869-00	Side entry 4mm 6862-00	Side entry 4mm 6862-A0	Side entry 4mm 6861-00
Diaphragm Material	Neoprene	Silicone	Neoprene	Neoprene	Neoprene	Silicone	Neoprene
Current rating @ 250V AC	21(8)A 2HP	21(8)A 2HP	10(1.7) 1/3HP	3(1)A 1/10HP	21(8)A 2HP	21(8)A 2HP	21(8)A 2HP
Approvals Available	UL 508	UL 508	UL 508	UL 508	UL 508	UL 508	



Mounting Plate 3351-109 & 2 SCREWS  
6050-6000-0001